

NF Series (Non-touch Flat)

Features and Strengths

- Non-contact handling item.
- Integrated Multi-suction system.
- Low air consumption.
- Large vacuum flow and powerful suction force.
- Safe gripping with mark free.
- No moving parts.
- Excellent gripping with metal sheets with holes.



SUCTION CUPS

Suitable for Handling

Suitable for Handling

Circuit boards, Solar cell, CDs and DVDs, Uneven Sheet Wood, Packaging, Plastic, Thin Products, Film, Paper, Mirrors, Paper-board..

Order No.

NF40 06 A - 18F
 | | | |
 ① ② ③ ④

① Diameter	② Vacuum flows	④ Thread Size
NF20 - Ø20	06 - Standard	M5F - M5XP0.8 female (NF20)
NF40 - Ø40	12 - An extra vacuum flow	18F - G1/8" female (NF40, 60)
NF60 - Ø60		
	③ Material	
	A - Aluminum	
	P - PEEK	
	4P - 4 Point PEEK	
	9P - 9 Point PEEK	

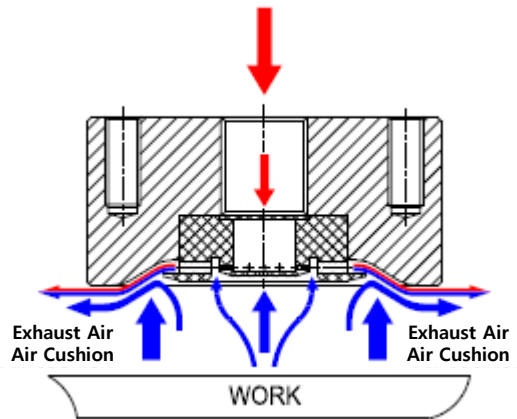
Technical Data

Model	Operating Pressure (bar)	Air consumption (NI/m)			Holding force (kg) At different pressure			Weight (g)
		4 bar	5 bar	6 bar	4 bar	5 bar	6 bar	
NF 20 06	4-6	58	67	78	0.16	0.19	0.21	Al : 21 PEEK : 11.5
NF 20 12		116	135	154	0.19	0.25	0.35	
NF 40 06	4-6	58	67	78	0.29	0.39	0.49	Al : 55 PEEK : 30
NF 40 12		116	135	154	0.49	0.59	0.68	
NF 60 06	4-6	105	123	126	0.59	0.79	0.89	Al : 130 PEEK : 70
NF 60 12		160	190	223	0.99	1.25	1.49	

The principle of VMECA NF CUP

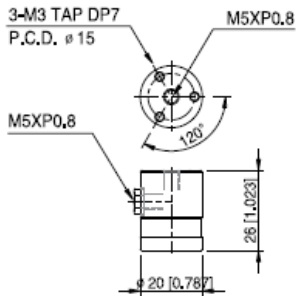
 COMPRESSED AIR

 VACUUM

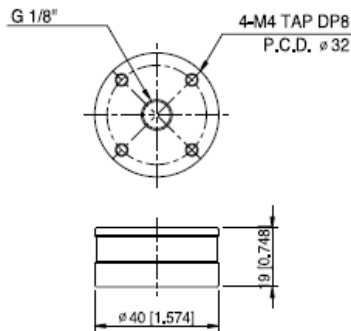


Dimensional Information

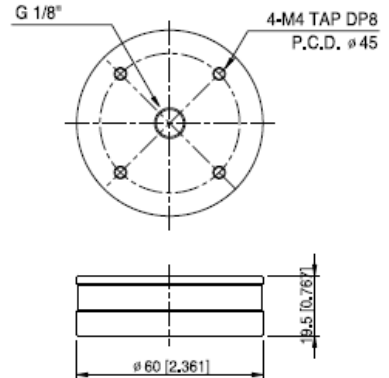
[Measure unit : mm(in)]



[NF 20 06 / NF 20 12]



[NF 40 06 / NF 40 12]



[NF 60 06 / NF 60 12]

Applications

